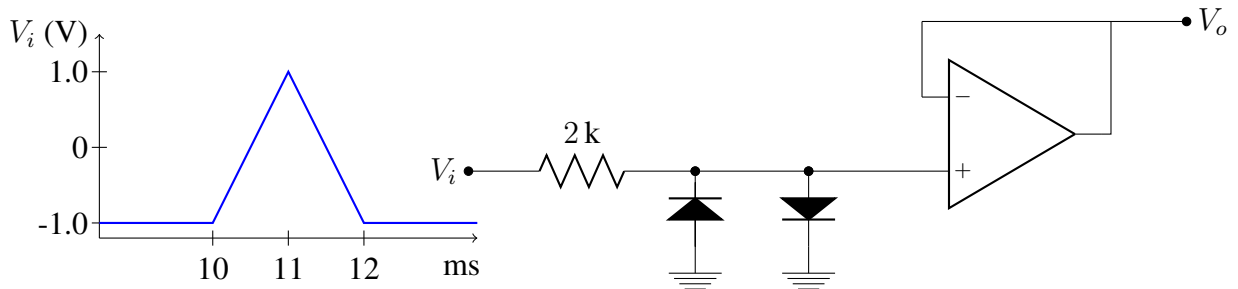


(1/5) Name _____ Student Number _____

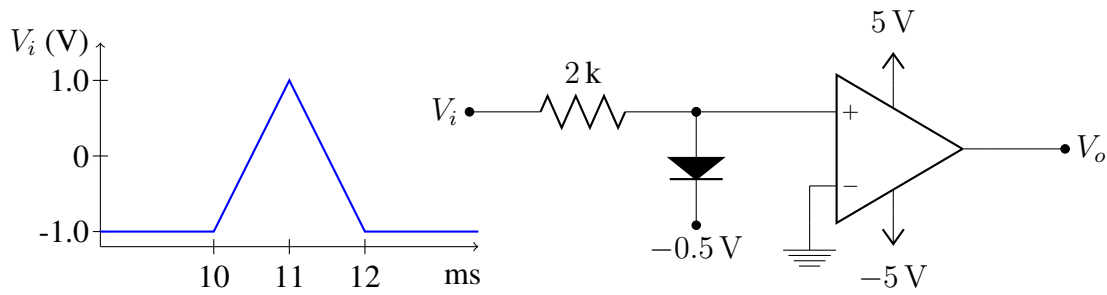
(4/5) Please answer the following question in the space below:



Sketch V_+ and output V_o . Show voltage levels and the times of any transitions. (Assume op amps are ideal; diodes have $V_D = 0.7V$)

(1/5) Name _____ Student Number _____

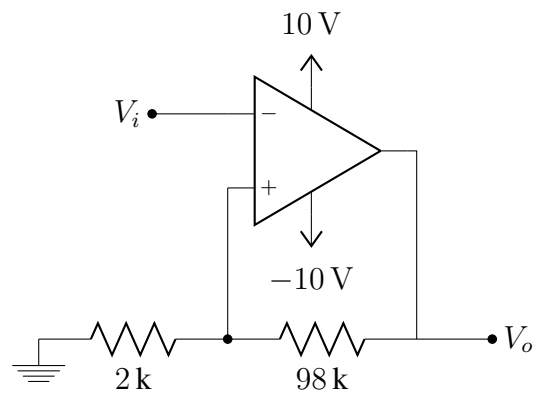
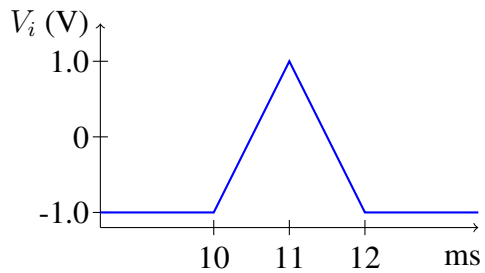
(4/5) Please answer the following question in the space below:



Sketch V_+ and output V_o . Show voltage levels and the times of any transitions. (Assume op amps are ideal; diodes have $V_D = 0.7\text{V}$)

(1/5) Name _____ Student Number _____

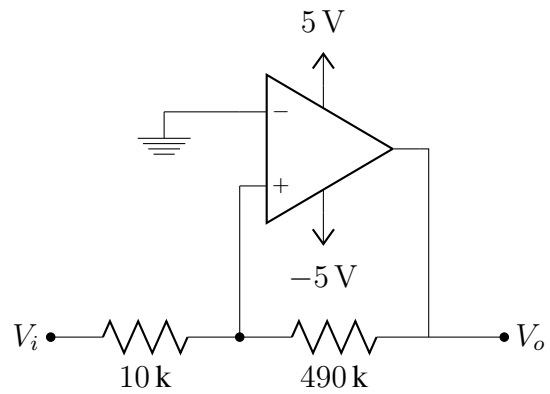
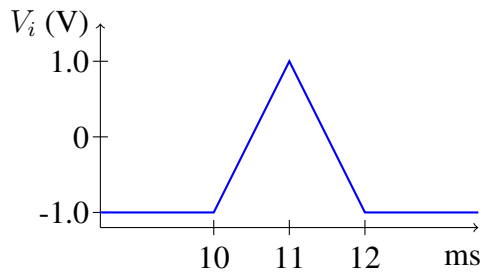
(4/5) Please answer the following question in the space below:



Sketch V_+ and output V_o . Show voltage levels and the times of any transitions. (Assume op amps are ideal)

(1/5) Name _____ Student Number _____

(4/5) Please answer the following question in the space below:



Sketch V_+ and output V_o . Show voltage levels and the times of any transitions. (Assume op amps are ideal)